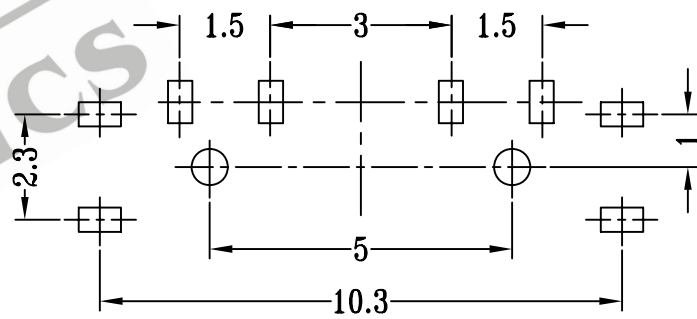
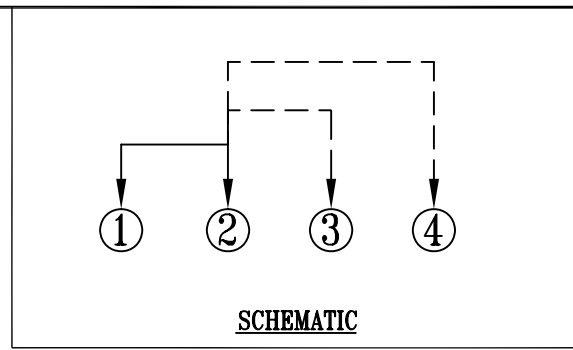
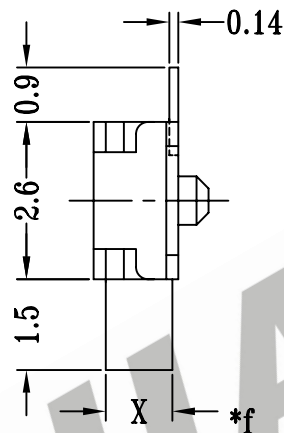
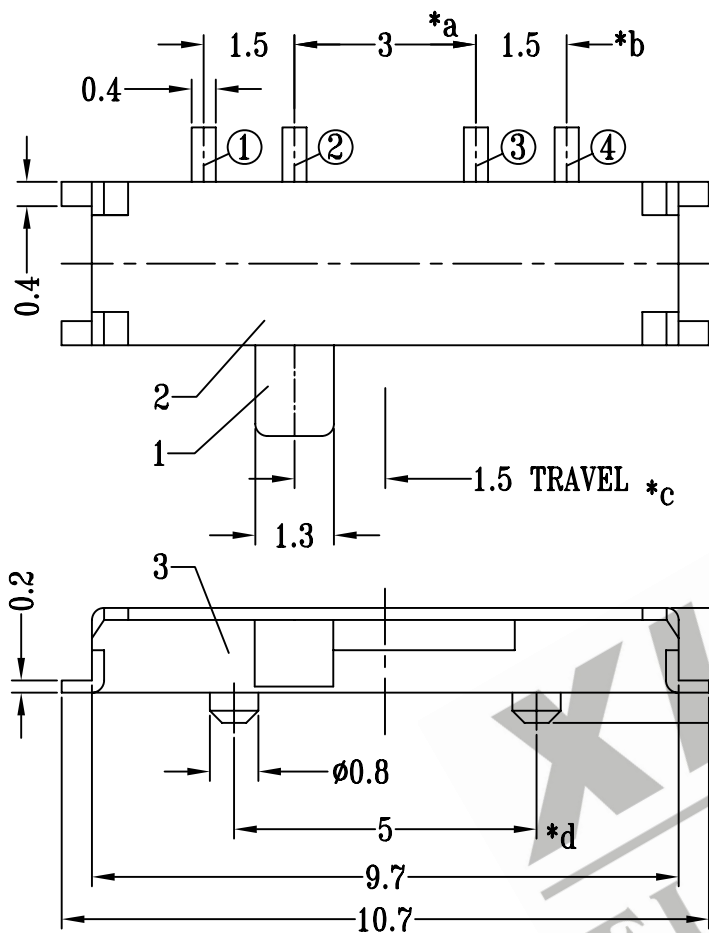


CAD FILE:



MK-13C01-PB	1.1
MK-13C01-PA	0.4
MODLE	X

P.C.B LAYOUT

注:带*表示关键尺寸(6个)

8					TOLERANCE UNLESS SPECIFIED	SHENZHEN XIEJIA ELECTRONICS CO.,LTD.				
7										
6					WITHIN: 1.5±0.1mm OVER : 1.5±0.2mm	ISSUE	DATE	DESCRIPTIONS		APPD.
5	CONTACT	PBS	1	Ag CLAD						
4	SPRING PLATE	SUS	1	NATURAL	TITLE : MINI SLIDE SWITCH	UNIT : MM	DRWG NO.: XJ-DR-MK13C01-00			
3	CASE	PBT	1	BLACK						
2	COVER	SUS	1	Ag PLATED	MODEL: MK-13C01	SCALE: 8 : 1	DWN.	ZHOUYU	2002-8-12	
1	KNOB	NYLON	1	BLACK			CHK'D	FANGYING	2002-8-12	
NO.	PART NAME	MATERIAL	Q'TY	FINISHING	ALL MATERIALS MUST BE COMPLIANT TO ROHS		APPD.	KANGXINAN	2002-8-12	